

TUBE

Robust machine luminaire with the highest quality standards / IP67



The TUBE system luminaire provides effective lighting for machinery and equipment, with M12 connectors for standardised connection.

The luminaire is easy to mount, rotates and offers a circuit-independent service life of 50,000 operating hours.

Depending on the application, you can choose different materials for the tubes: the TUBE is available in chemical-resistant borosilicate glass and in impact-resistant polycarbonate.

Fluctuating temperatures, oil, water or various chemicals therefore affect neither the luminosity nor the service life.

IP67

RoHS
compliant



Made in
Germany



IK07

IK08

Borrow a sample now



Specifications

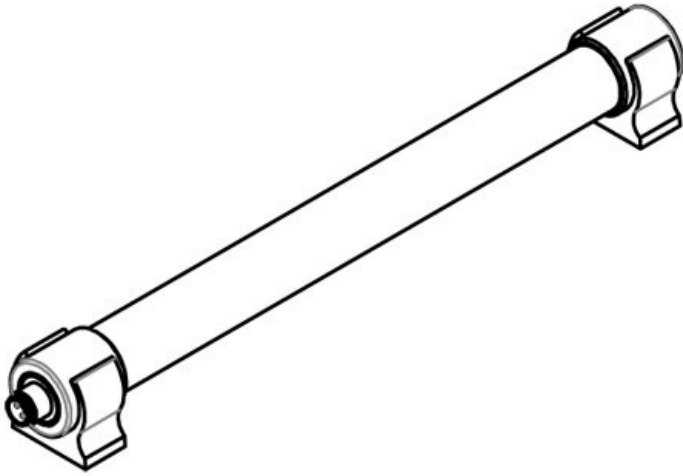
| | |
|------------------------------|--|
| IP rating (EN 60529) | IP67 |
| Protection class | III (Protective extra-low voltage) |
| Material | Tube: Polycarbonate Tube: Borosilicate glass End caps: Stainless steel |
| Flame class | |
| Operating temperature | -20 C° to 50 C° |
| Mounting options | Snap-in |

Advantages & Benefits

- Chemical-resistant borosilicate glass or impact-resistant polycarbonate tube
- Protection class IP67
- Completely maintenance-free product
- High energy efficiency thanks to High Power LED
- Compact round design \varnothing 28 mm, suitable for the tightest installation situations
- Easy retrofitting in existing machines
- With rotating LED tube
- Stainless steel end caps
- Cable connection via M12 connector

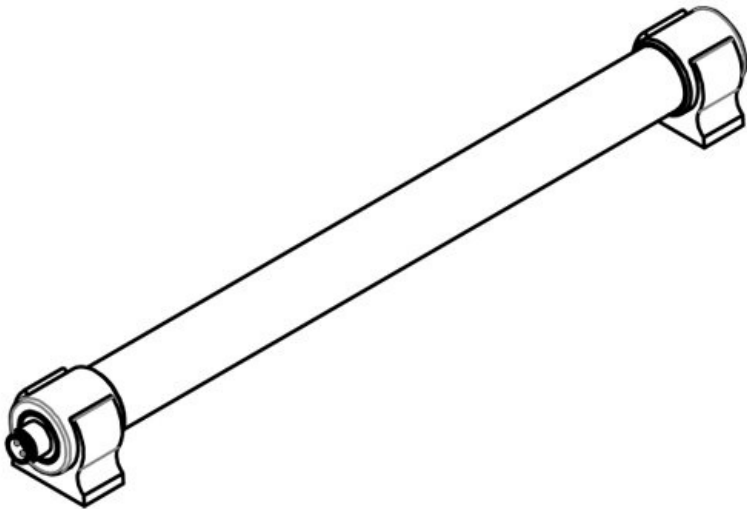
Product Types & Sizes

TUBE 8 W | 300 mm

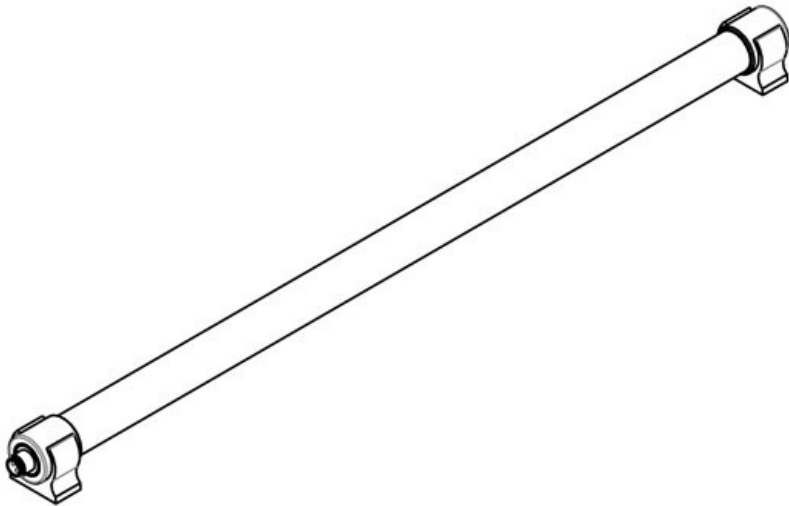


| | | | |
|------------------|----------------------|---------------------------|--------------------------|
| Part No. | 81502 | End cap diameter | 28 mm |
| EAN | 4251269333132 | Connection possibilities | M12 connector |
| Package quantity | 1 | Connector type | M12 flange socket |
| Length | 296,1 mm | Rated power | 8 W |
| Height | 36 mm | Operating voltage | 24 V, DC |
| Width | 34 mm | | ±5% |
| Tube diameter | 24 mm | Service life | 50.000 h |
| | | Energy efficiency class | E |
| | | Consumption kWh/1000 h | 13 |
| | | Color temperature | 5.600 K |
| | | Color rendering index CRI | >80 |
| | | Luminous flux | 1.000 lm |
| | | Material tube | Polycarbonate |

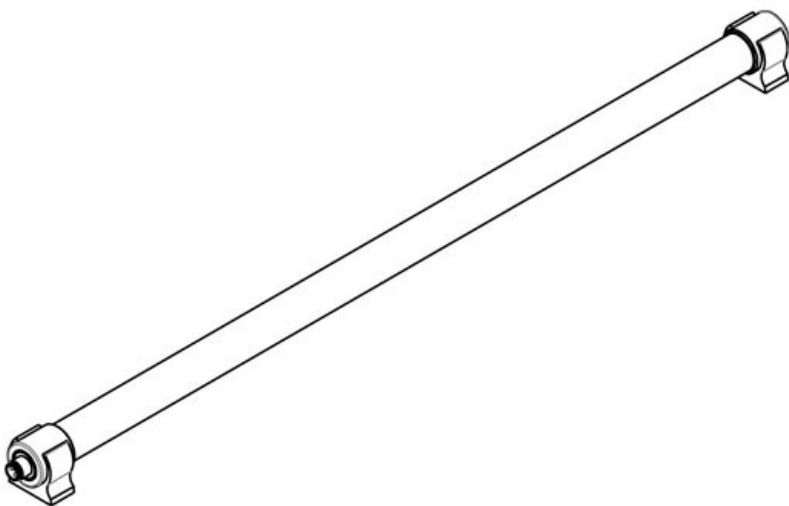
TUBE 11,2 W | 330 mm



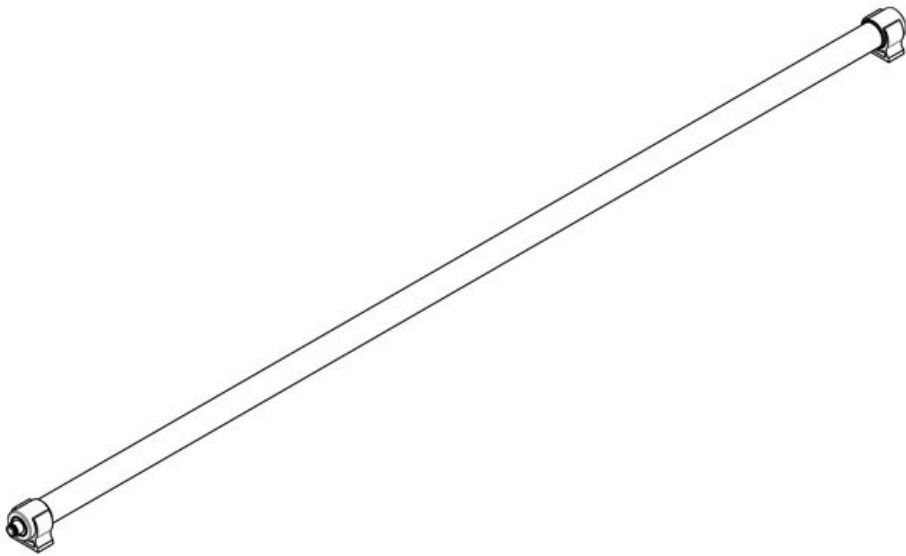
| | | | |
|------------------|----------------------|---------------------------|---------------------------|
| Part No. | 81503 | End cap diameter | 28 mm |
| EAN | 4251269333149 | Connection possibilities | M12 connector |
| Package quantity | 1 | Connector type | M12 flange socket |
| Length | 331,1 mm | Rated power | 11,2 W |
| Height | 36 mm | Operating voltage | 24 V, DC |
| Width | 34 mm | | ±5% |
| Tube diameter | 24 mm | Service life | 50.000 h |
| | | Color temperature | 5.000 K |
| | | Color rendering index CRI | >80 |
| | | Luminous flux | 1.650 lm |
| | | Material tube | Borosilicate glass |



| | | | |
|------------------|-------------------|---------------------------|--------------------------|
| Part No. | 81500 | End cap diameter | 28 mm |
| EAN | 4251269333 | Connection possibilities | M12 connector |
| Package quantity | 1 | Connector type | M12 flange socket |
| Length | 565,1 mm | Rated power | 13 W |
| Height | 36 mm | Operating voltage | 24 V, DC ±5% |
| Width | 34 mm | Service life | 50.000 h |
| Tube diameter | 24 mm | Energy efficiency class | E |
| | | Consumption kWh/1000 h | 13 |
| | | Color temperature | 5.600 K |
| | | Color rendering index CRI | >80 |
| | | Luminous flux | 1.700 lm |
| | | Material tube | Polycarbonate |



| | | | |
|------------------|-------------------|---------------------------|---------------------------|
| Part No. | 81504 | End cap diameter | 28 mm |
| EAN | 4251269333 | Connection possibilities | M12 connector |
| Package quantity | 1 | Connector type | M12 flange socket |
| Length | 615,1 mm | Rated power | 16,8 W |
| Height | 36 mm | Operating voltage | 24 V, DC ±5% |
| Width | 34 mm | Rated current | 1,08 A |
| Tube diameter | 24 mm | Service life | 50.000 h |
| | | Color temperature | 5.000 K |
| | | Color rendering index CRI | >80 |
| | | Luminous flux | 2.775 lm |
| | | Material tube | Borosilicate glass |



| | | | |
|------------------|-------------------|---------------------------|--------------------------|
| Part No. | 81501 | End cap diameter | 28 mm |
| EAN | 4251269333 | Connection possibilities | M12 connector |
| Package quantity | 1 | Connector type | M12 flange socket |
| Length | 1.074,6 mm | Rated power | 26 W |
| Height | 39 mm | Operating voltage | 24 V, DC ±5% |
| Width | 30,4 mm | Rated current | 1,0 A |
| Tube diameter | 24 mm | Service life | 50.000 h |
| | | Energy efficiency class | E |
| | | Consumption kWh/1000 h | 13 |
| | | Color temperature | 5.600 K |
| | | Color rendering index CRI | >80 |
| | | Luminous flux | 3.400 lm |
| | | Material tube | Polycarbonate |

Connecting cable for TUBE, 5000 mm



| | | | |
|-------------------------|--------------------------------|-----------------------|---------------------|
| Part No. | 81530 | Material cable sheath | Polyurethane |
| EAN | 4251269333 | | e |
| Package quantity | 1 | | |
| Length connecting cable | 5.000 mm | | |
| Connector type | M12 connector, Ferrules | | |
| Operating voltage | 24 V DC ±5% | | |
| Color | black | | |

Connecting cable for TUBE, 10000 mm

| | | | |
|-------------------------|--------------------------------|----------------|--------------------|
| Part No. | 81531 | Material cable | Polyurethan |
| EAN | 4251269333 | sheath | e |
| | 170 | | |
| Package quantity | 1 | | |
| Length connecting cable | 10.000 mm | | |
| Connector type | M12 connector, Ferrules | | |
| Operating voltage | 24 V DC ±5% | | |
| Color | black | | |



Mounting clips TUBE, stainless steel

| | | | |
|------------------|-------------------|----------------|---------------|
| Part No. | 91443 | No. of screw | 1 |
| EAN | 4251269335 | holes | |
| | 082 | Diam. of screw | 6,5 mm |
| Package quantity | 2 | holes | |
| Length | 30 mm | | |
| Height | 38 mm | | |
| Width | 27 mm | | |
| Color | black | | |





| | | | |
|------------------|----------------|----------------------|---------------|
| Part No. | 91070 | Color | black |
| EAN | | No. of screw holes | 1 |
| Package quantity | 1 | Diam. of screw holes | 4,2 mm |
| Length | 18,4 mm | | |
| Height | 34 mm | | |
| Width | 34 mm | | |
| End cap diameter | 28 mm | | |