

IP66 / IP67 / IP69K



IP66 IP67 IP69K RoHS compliant REACH COMPLIANCE Made in Germany

IP66/IP67/IP69K is a high-pressure, high-temperature resistant connector. It is suitable for use in harsh environments and is designed for long-term, reliable operation.

The connector has a diameter of $\varnothing 50.5 (+0.5\text{mm})$ and is compatible with union nuts.

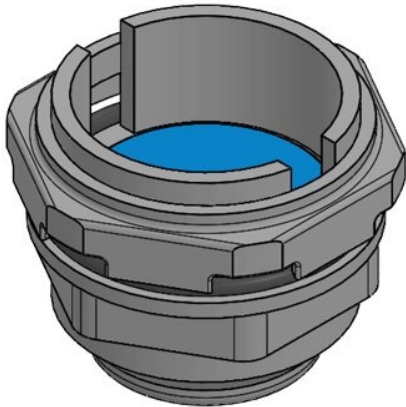
IP (EN 60529)	IP66, IP67, IP69K
Temperature range	-45 C° to 70 C°
Material	PA66 GF30

Features

- IP66/67, IP69K high-pressure, high-temperature resistant
- Suitable for use in harsh environments
- Long service life
- Suitable for use with union nuts
- High-quality plastic material

Dimensions

Thread M50



EAN	99193 4251269324789	Thread	50,5 mm M50 x 1,5
Material	1 49,5 mm 60 mm 60 mm 28,5 mm	Drainage rate (5mm hole)	200 ml/h