

# KEL-BES-S

10- 16- 24-pin



KEL-BES-S is a high-quality, reliable connector for 10-, 16- and 24-pin applications. It is designed for easy installation and provides a secure connection for your cables.



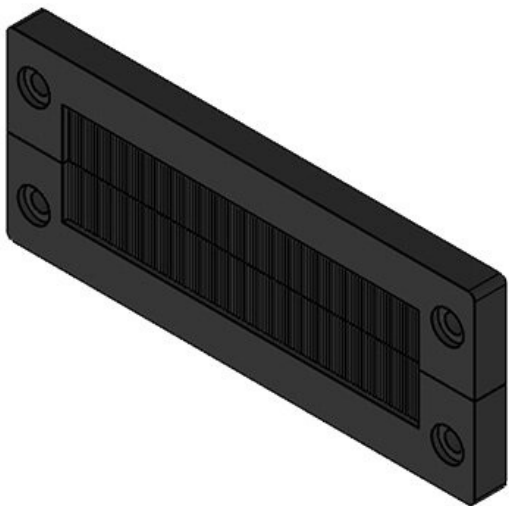
## Features

- High quality
- Easy installation
- Reliable connection
- Suitable for 10-, 16- and 24-pin
- Durable
- Available in various colors

Material	UL94-V0, black
Temperature range	-20 C° to 90 C°
Dimensions	112 x 36 mm
Weight	0.15 kg

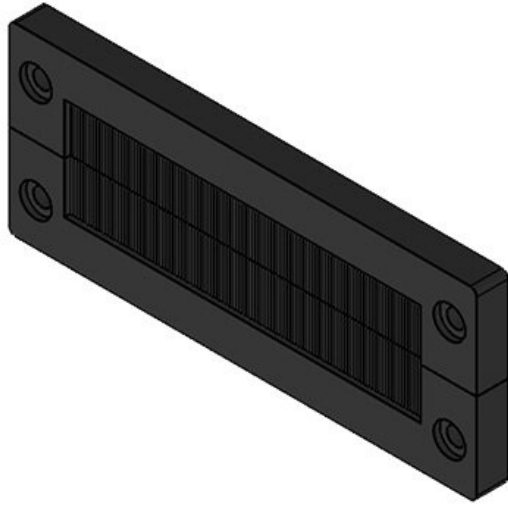
## Dimensions

KEL-BES-S 24



EAN	51522	112 x 36 mm
	425126931660	4
	9	5,8 mm
	10	
	147 mm	
Weight	58 mm	
	10 mm	
	10 mm	

**KEL-BES-S 24 with expanding rivets**



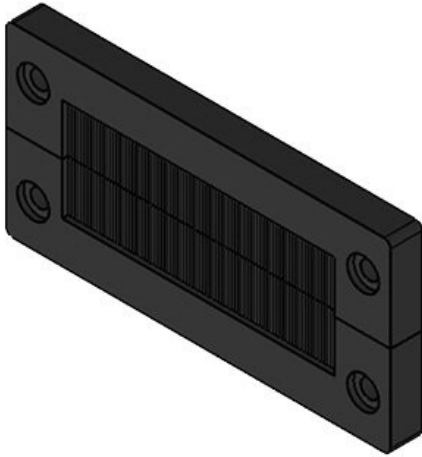
EAN

□□ □□

**51522.002** □□ □□□  
**425126932070** □□ □ □  
**5** □□□ □□  
**10**  
**147 mm**  
**58 mm**  
**10 mm**  
**10 mm**

**112 × 36 mm**  
**4**  
**5,8 mm**

**KEL-BES-S 16**



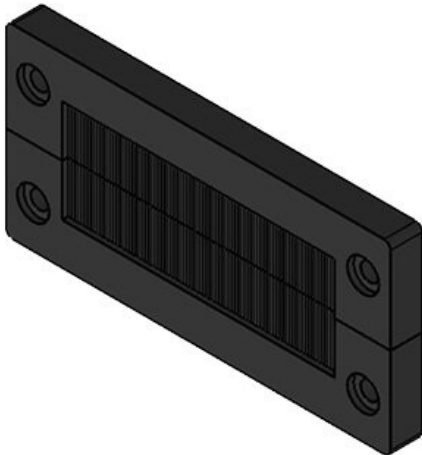
EAN

□□ □□

**51521** □□ □□□  
**425126931659** □□ □ □  
**3** □□□ □□  
**10**  
**120 mm**  
**58 mm**  
**10 mm**  
**10 mm**

**86 × 36 mm**  
**4**  
**5,8 mm**

**KEL-BES-S 16 with expanding rivets**



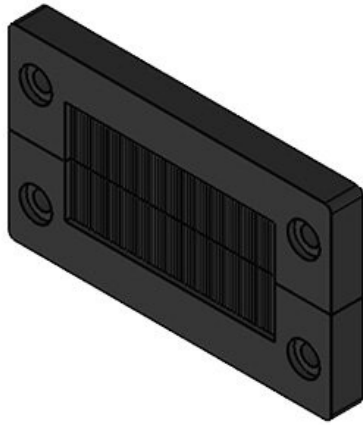
EAN

□□ □□

**51521.002** □□ □□□  
**425126932069** □□ □ □  
**9** □□□ □□  
**10**  
**120 mm**  
**58 mm**  
**10 mm**  
**10 mm**

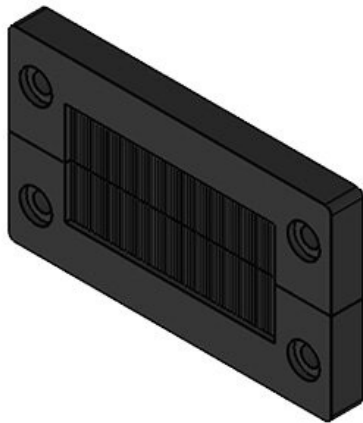
**86 × 36 mm**  
**4**  
**5,8 mm**

**KEL-BES-S 10**



	<b>51520</b>	□□ □□	<b>65 × 36 mm</b>
EAN	<b>425126931658</b>	□□ □ □	<b>4</b>
	<b>6</b>	□□ □ □	<b>5,8 mm</b>
	<b>10</b>		
	<b>100 mm</b>		
	<b>58 mm</b>		
	<b>10 mm</b>		
	<b>10 mm</b>		
	□□ □□		

**KEL-BES-S 10 with expanding rivets**



	<b>51520.002</b>	□□ □□	<b>65 × 36 mm</b>
EAN	<b>425126932068</b>	□□ □ □	<b>4</b>
	<b>2</b>	□□ □ □	<b>5,8 mm</b>
	<b>10</b>		
	<b>100 mm</b>		
	<b>58 mm</b>		
	<b>10 mm</b>		
	<b>10 mm</b>		
	□□ □□		